

Stainless Steel Cartridge Housing

Tema cartridge housings offer outstanding durability and corrosion resistance across a wide variety of industrial and commercial applications. Constructed from stainless steel 304 or 316L, these housings accept a wide variety of cartridge types. This gives the user flexibility to choose the number, type and size of cartridges needed for chemical compatibility and particle retention.



Specification

- material is made of SUS 304 or SUS 316
- maximum working pressure ranges from 100 psi to 150 psi
- non-single element fixed or single element fixed type
- polished or matte finish surface

Features

- well-sealed, easy operation
- high filtration efficiency
- filter cartridge can be easily replaced
- premium quality, long-life use

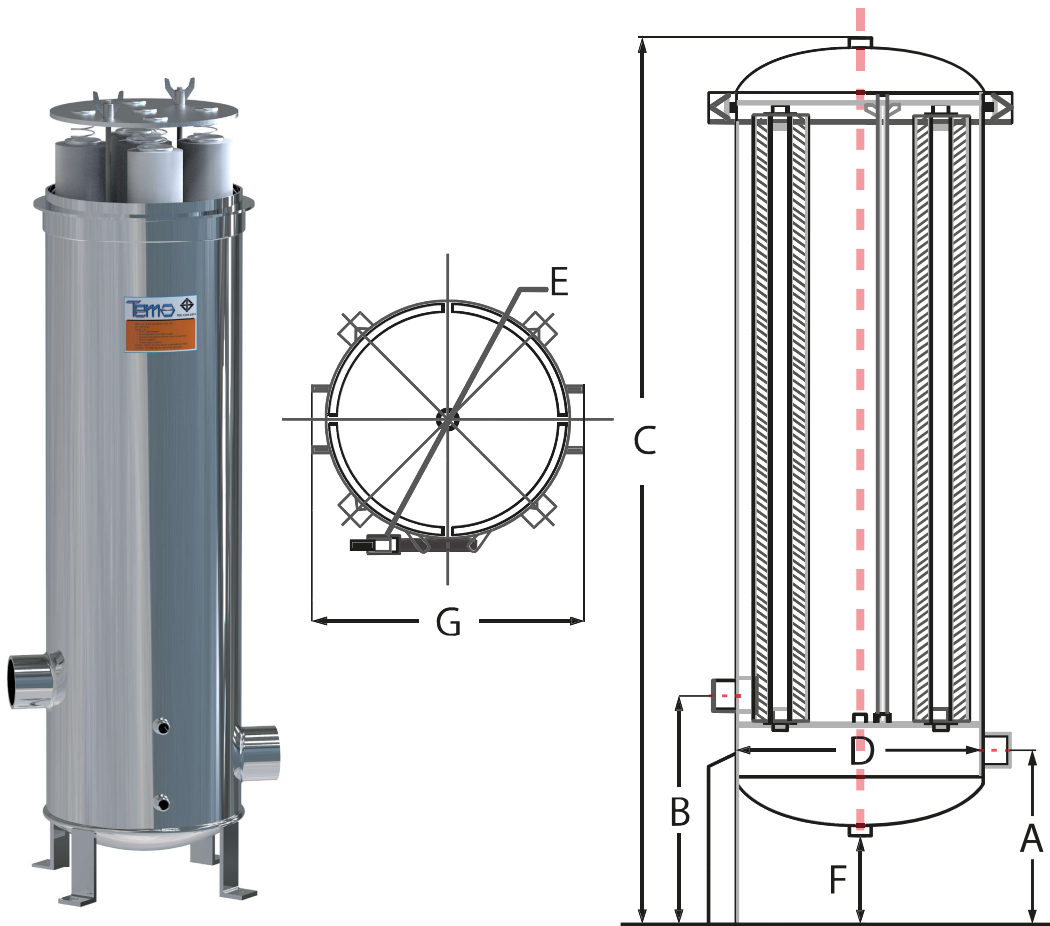
Applications

- Water
- General Industrial
- Chemical
- Oil and Gas
- Commercial



Stainless Steel Cartridge Housing

CFS2 Model Series



Specification

- Material : SUS304, SUS316
- Maximum working pressure : 100 psi
- Surface finish : polished finish surface, matt finish surface

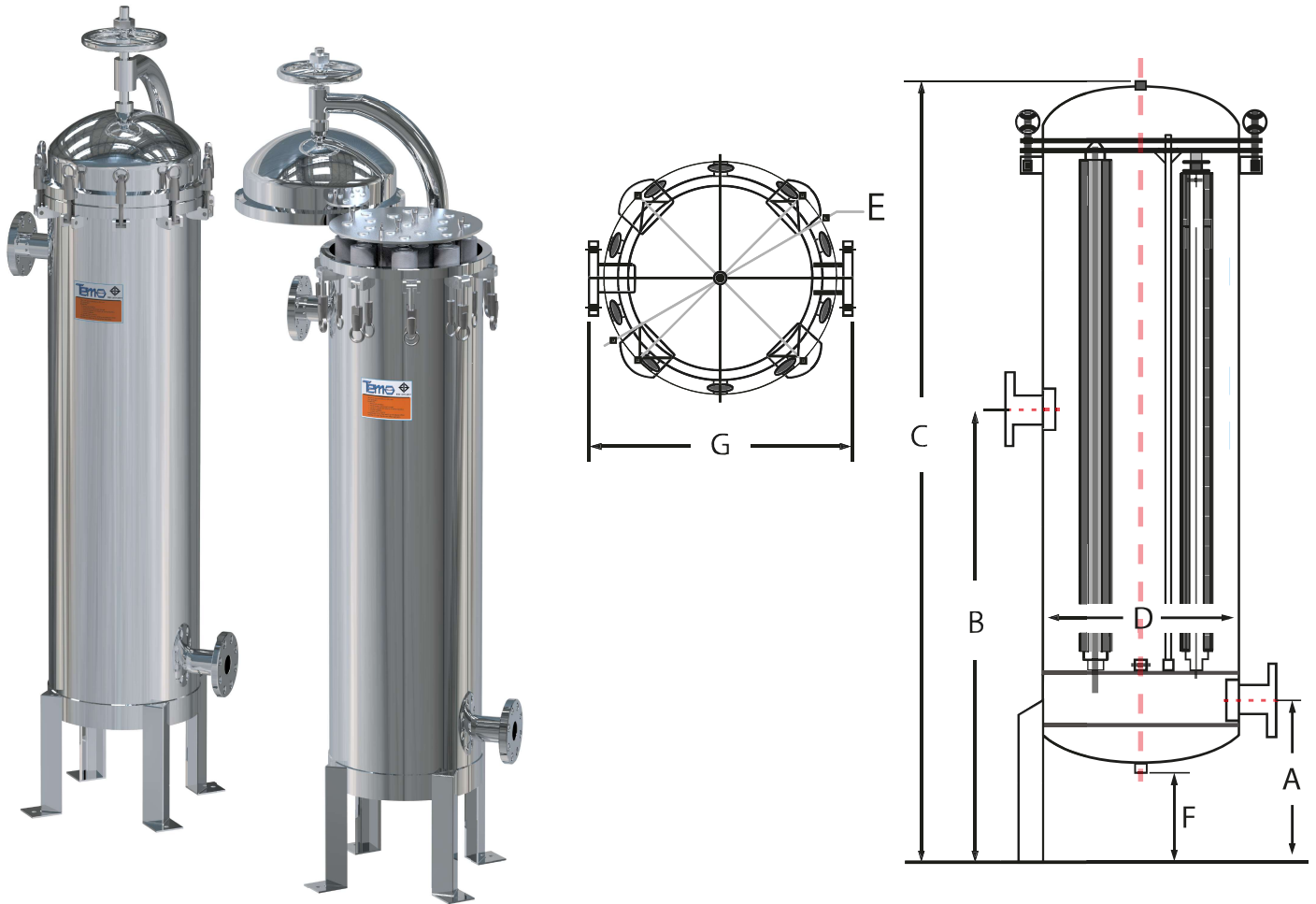
Technical Parameter

Model	A	B	C	D	E	F	G	In/Out	Drain
CFS2-E5S20	190	290	830	Ø195	Ø250	100	260	1-1/2"	1/2"
CFS2-E5S40	190	290	1370	Ø195	Ø250	100	260	2"	1/2"
CFS2-E7S20	220	310	840	Ø230	Ø300	100	310	2"	1/2"
CFS2-E7S40	220	310	1380	Ø230	Ø300	100	310	2-1/2"	1/2"

* Above price is for CFS2 model SUS304 material only. SUS316L material price is available upon request.

Stainless Steel Cartridge Housing

CFS4 Model Series



Specification

- Material : SUS304, SUS316L
- Maximum working pressure : 150 psi
- Surface finish : polished finish surface, matt finish surface

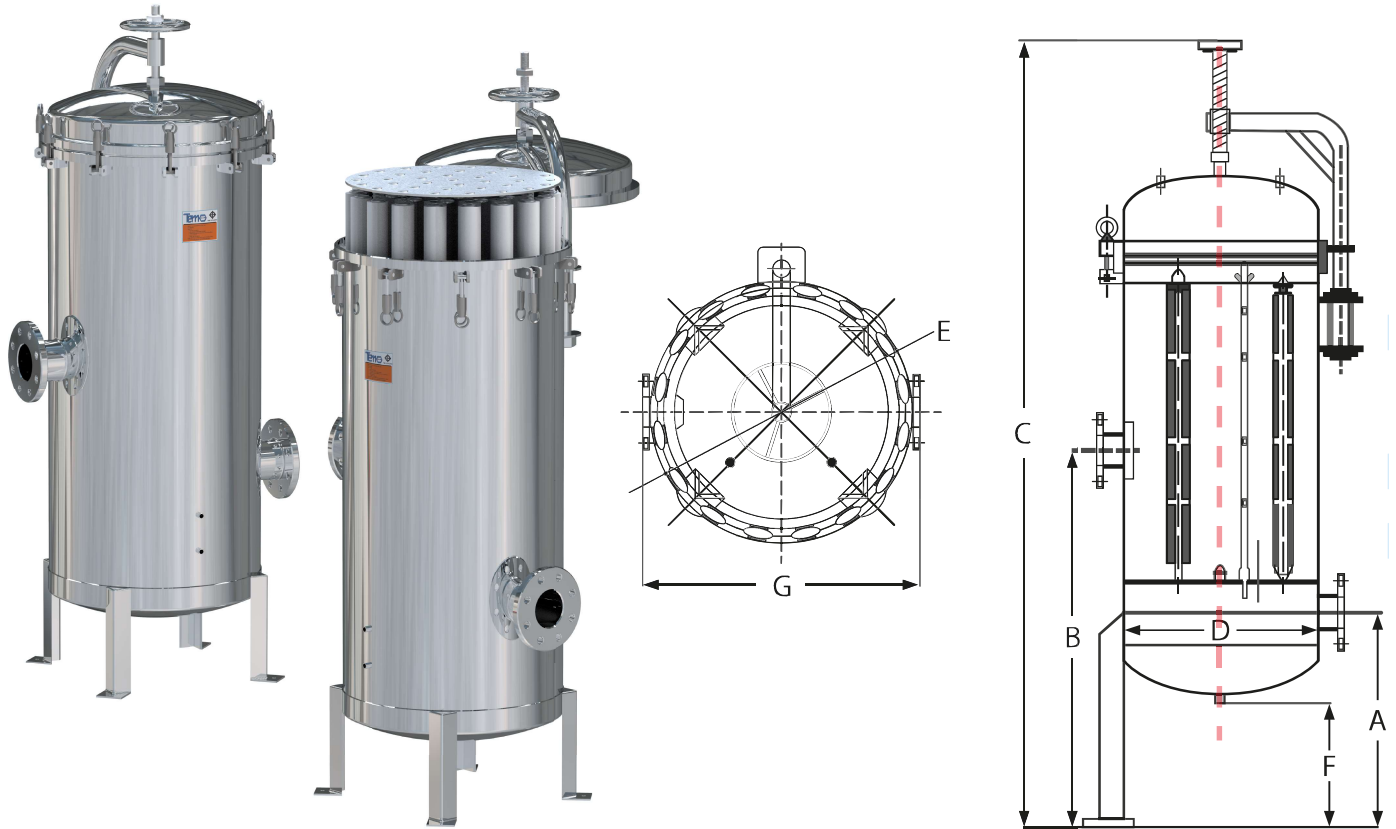
Technical Parameter

Model	A	B	C	D	E	F	G	In/Out	Drain
CFS4-E7S40	300	800	1550	Ø230	Ø250	150	390	2"	1/2"
CFS4-E11S40	360	900	1620	Ø300	Ø300	200	440	3"	3/4"
CFS4-E15S40	380	900	1660	Ø325	Ø350	200	530	3"	3/4"
CFS4-E19S40	400	900	1700	Ø377	Ø400	200	560	4"	3/4"
CFS4-E27S40	460	1000	1770	Ø450	Ø450	250	630	4"	3/4"

* Above price is for CFS4 model SUS304 material only. SUS316L material is available upon request.

Stainless Steel Cartridge Housing

CFS5 Model Series



Specification

- Material : SUS304, SUS316L
- Maximum working pressure : 150 psi
- Surface finish : polished finish surface, matt finish surface

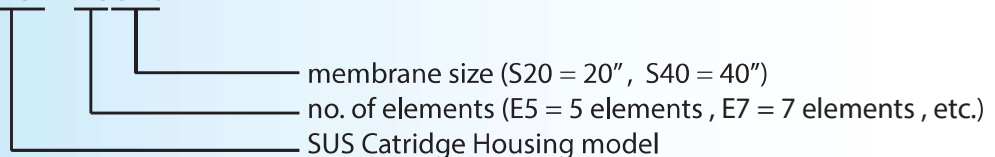
Technical Parameter with

Model	A	B	C	D	E	F	G	In/Out	Drain
CFS5-E27S40	400	1100	1930	Ø450	Ø450	250	610	4"	3/4"

* Above price is for CFS5 model SUS304 material only. SUS316 material is available upon request.

Model Specification

Ex : CFS2 - E5S20



PP Melt Blown Cartridge Filter OEM Design

Description

Polypropylene (PP) Melt blown cartridge filter is made from polypropylene resin, heated, melted, sprayed, drew and formed in tubular multi-layered cartridge filter.

Application

- Water treatment (e.g. Reverse Osmosis system)
- Electronics, electronic & power industries (e.g. pure water, gas, electroplate liquid, presswork)
- Chemical and petrochemical industries (e.g. solvent, coating, magnetism slurry, wash)
- Medicine & pharmacy (e.g. pure water injection and ally liquid)
- Grocery industry (e.g. food, alcohol)

Xử lý nước (ví dụ: Hệ thống Lọc nước RO)
 - Các ngành công nghiệp điện tử, điện tử và điện (ví dụ: nước tinh khiết, khí đốt, chất lỏng mạ điện, công nghiệp in ấn)
 - Các ngành công nghiệp hóa chất và hóa dầu (ví dụ: dung môi, sơn phủ, bùn từ tính)
 - Ngành công nghệ Thuốc & dược phẩm (ví dụ: dung dịch truyền nước tinh khiết và chất lỏng)
 - Công nghệ thực phẩm, đồ uống (ví dụ: thực phẩm, rượu)

Technical Parameter

Filter Precision Micron	Length size	Surface Type	Outside Diameter	Inside Diameter	Initial Precision	Maximum Particle	Flow Rate
1 µm	10"	Smooth/Mini groove	63mm	28mm	10 - 15 µm	15 µm	10 LPM
	20"	Smooth/Mini groove	63mm	28mm	10 - 15 µm	15 µm	20 LPM
	30"	Smooth/Mini groove	63mm	28mm	10 - 15 µm	15 µm	30 LPM
	40"	Smooth/Mini groove	63mm	28mm	10 - 15 µm	15 µm	40 LPM
5 µm	10"	Smooth/Mini groove	63mm	28mm	10 - 15 µm	35 µm	17 LPM
	20"	Smooth/Mini groove	63mm	28mm	10 - 15 µm	35 µm	34 LPM
	30"	Smooth/Mini groove	63mm	28mm	10 - 15 µm	35 µm	51 LPM
	40"	Smooth/Mini groove	63mm	28mm	10 - 15 µm	35 µm	64 LPM

* Weight specification may vary depending on availability.

Tolerance :

* Outside and inside diameter ± 1 mm.

* Weight is approximately ± 8 % for all sizes.



Mini groove Surface



Smooth Surface



Product Specification

Dimensions

- › Outer Diameter - 60mm
- › Inner Diameter - 30mm
- › Length - 10", 20", 30", 40"
- › Material - Polypropylene (PP)

Performance

- › Max Operating temperature - 65°C
- › Max Operating DP - 2.0Bar@21°C



BIG BLUE

Dimensions

- › Outer Diameter - 107mm
- › Inner Diameter - 30mm
- › Length - 10", 20"
- › Material - Polypropylene (PP)

Performance

- › Max Operating temperature - 65°C
- › Max Operating DP - 2.0Bar@21°C



Features

- › 100% Polypropylene
- › Formed by thermal bond without using any adhesive
- › Three layer structures with high dirt holding capacity
- › Available in Smooth and Mini groove surface
- › Wide chemical compatibility

Application

- › Food and Beverages
- › Drinking Water
- › Chemicals
- › Pharmaceuticals

Technical Parameter

Filter Precision Micron	Length Size	Outside Diameter	Inside Diameter	Initial Precision	Maximum Particle	Flow Rate
1 μm	10"	63 mm	28 mm	10-15 μm	15 μm	10 LPM
	20"	63 mm	28 mm	10-15 μm	15 μm	20 LPM
5 μm	10"	63 mm	28 mm	25-35 μm	35 μm	17 LPM
	20"	63 mm	28 mm	25-35 μm	35 μm	34 LPM
	40"	63 mm	28 mm	25-35 μm	35 μm	64 LPM

*Weight specification may vary depending on availability

Tolerance :

*Outside and inside diameter ± 1 mm.

*Weight is approximately ± 15 g. for 20" size; ± 30 g. for 40" size (applicable for weight of 300g and 600g respectively)



Application

- Water treatment (e.g. Reverse Osmosis system)
- Electronics, electronic & power industries (e.g. pure water, gas, electroplate liquid, presswork)
- Chemical and petrochemical industries (e.g. solvent, coating, magnetism slurry, wash)
- Grocery industry (e.g. food, alcohol)

Note:

1. Other models are available as per order basis with minimum quantity.
2. Specifications are subject to change without prior notice.
3. All prices are subject to change without prior notice.
4. Above price is exclusive of 7% VAT.