

## RACK MOUNTING (96X96) SINGLE READING SYSTEMS

JA control instruments are a series of **rack mounting (96x96)** single reading systems with temperature reading. On/Off, impulsive proportional and PID are main working modes.

It can set and monitor: pH, ORP, chlorine (depending on the probe: total chlorine, free chlorine, chlorine dioxide, hydrogen peroxide, ozone, bromine or paracetic acid) and conductivity with **automatic range and probe / product selection (uS/S - Ohm - TDS / PPM)**.

JA models have: 2 setpoints (on/off, proportional), flow alarm, flow sensor stand-by input, 0-20 mA or 4-20 mA output proportional to read value and programmable in the reading range, alarm output.

JA PRO version is equipped with mA module and MODBUS serial communication to be connected to other devices on RS485 networks and TCP/IP MODBUS. Conductivity models have got **automatic range and probe / product selection (uS/S - Ohm - TDS / PPM - Concentration H3PO4 - H2SO4 - HNO3 - HCl - NaOH - NaCl)**. Probes are not included.

Available low voltage 9-18VDC or 18-36VDC power supply.

Available IP54 protection cover.



## MODELS

JA	JA PRO	MEASURE
JAPH	JAPH PRO	pH
JARH	JARH PRO	ORP
JACL	JACL PRO	Chlorine
JACD	JACD PRO	Conductivity
JACDIND	JACDIND PRO	Inductive Conductivity

## INPUT SIGNAL

pH / ORP: BNC; impedance > 10<sup>12</sup> Ω  
Chlorine / Conductivity: connection board

## FLOW SENSOR INPUT

## FLOW ALARM

**2 ON/OFF / PROPORTIONAL / PID (JAPRO only) OUTPUT**  
free voltage contact

## OPTO COUPLED OUTPUT (JAPRO only)

To use with "IS", "MF", "PLUS" series pumps

## ALARM OUTPUT

free voltage contact

## CURRENT OUTPUT

Programmable 0/4-20mA (max 350 Ohm) galvanic isolated

## TEMPERATURE COMPENSATION

PT100 sensor (0-200°C)

## DELAY

Programmable delay at startup for probe polarization.

## DISPLAY

Backlight LCD display.

## POWER SUPPLY

85-264VAC; 18-36VAC; 9-18VDC or 18-36VDC; 50/60 Hz

## STAND-BY (JAPRO only)

## mA MODULE

## EASY USER INTERFACE WITH NAVI-KEYS SYSTEM

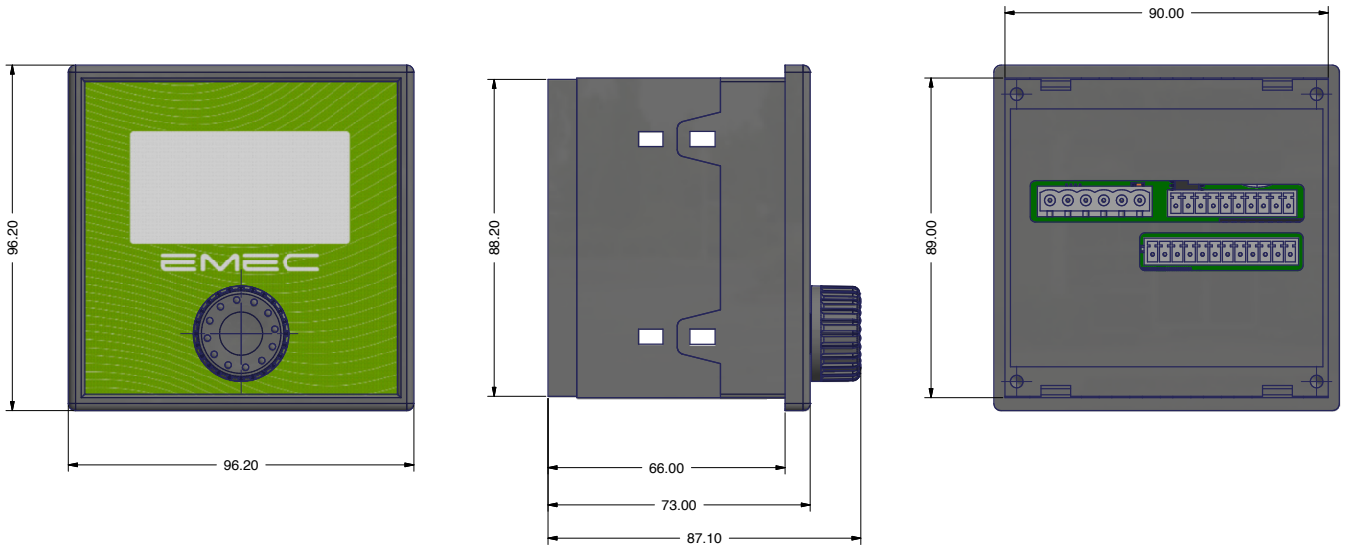
## PASSWORD PROTECTED SETTINGS

## OPTION

IP54 PROTECTION

RACK MOUNTING (96X96) SINGLE READING SYSTEMS

DIMENSIONS JA

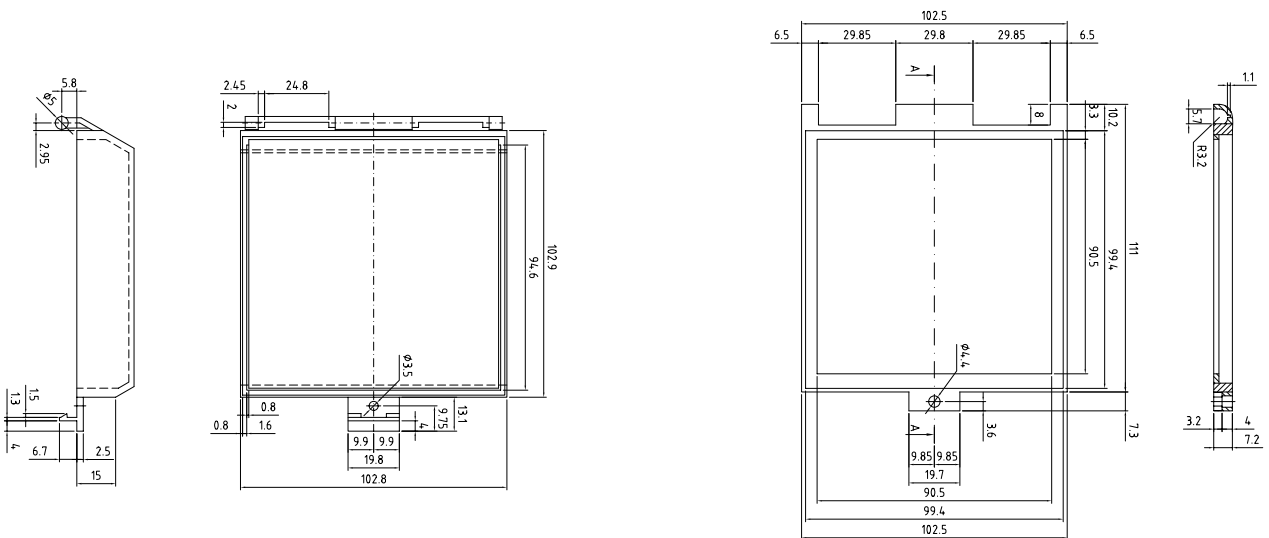


OPTIONS



IP54 PROTECTION

DIMENSIONS PROTECTION IP54



## RACK MOUNTING (96X96) SINGLE READING SYSTEMS

**JAPH**

	JAPH	JAPH PRO
MEASURE	pH	
RANGE	0-14 pH; resolution: 0,01	
TEMPERATURE COMPENSATION	PT100	
INPUT SIGNAL	BNC; impedance > 10 <sup>12</sup> Ω	
POWER SUPPLY	24, 115, 230 VAC; 50/60 Hz	
FUSE	0,5 A	
AVERAGE CONSUMPTION	4 W	
mA CURRENT OUTPUT	Programmable 0/4-20mA (max 500 Ohm) galvanic isolated	
INPUT	Flow pH probe Temperature probe	Flow pH probe Temperature probe Stand-by
OUTPUT	2 output (free contact)	2 output (free contact) 1 otpo coupled output 1 alarm output (free contact)
ENVIRONMENT TEMPERATURE	0°C ... 50°C (32°F ... 122°F) / 0-95% (non condensing) relative humidity	
PROTECTION	IP40 - on request IP54	
POLLUTION LEVEL	2	
ENCLOSURE MATERIAL	PP	
TEST/CERTIFICATION	CE	
DIMENSIONS	refer to the drawing	
INSTALLATION	rack mounting	
MODBUS MODULE	/	default

## RACK MOUNTING (96X96) SINGLE READING SYSTEMS

## JARH

	JARH	JARH PRO
MEASURE	ORP	
RANGE	-999/+1999 mV; resolution: 1	
TEMPERATURE COMPENSATION	PT100	
INPUT SIGNAL	BNC; impedance > 10 <sup>12</sup> Ω	
POWER SUPPLY	24, 115, 230 VAC <sup>1</sup> ; 50/60 Hz	
FUSE	0,5 A	
AVERAGE CONSUMPTION	4 W	
CURRENT OUTPUT	Programmable 0/4-20mA (max 500 Ohm) galvanic isolated	
INPUT	Flow ORP probe Temperature probe	Flow ORP probe Temperature probe Stand-by
OUTPUT	2 output (free contact)	2 output (free contact) 1 otpo coupled output 1 alarm output (free contact)
ENVIRONMENT TEMPERATURE	0°C ... 50°C (32°F ... 122°F) / 0-95% (non condensing) relative humidity	
PROTECTION	IP40 - on request IP54	
POLLUTION LEVEL	2	
ENCLOSURE MATERIAL	PP	
TEST/CERTIFICATION	CE	
DIMENSIONS	refer to the drawing	
INSTALLATION	rack mounting	
MODBUS MODULE	/	default

## RACK MOUNTING (96X96) SINGLE READING SYSTEMS

**JACL**

	JACL	JACL PRO
MEASURE	Total chlorine Free Chlorine Chlorine Dioxide Hydrogen Peroxyde Ozone Bromine Peracetic Acid	
RANGE	0 / 2 mg/l Cl <sub>2</sub> 0 / 10 mg/l Cl <sub>2</sub> 0 / 20 mg/l Cl <sub>2</sub> 0 / 200 mg/l Cl <sub>2</sub>	
TEMPERATURE COMPENSATION	PT100	
INPUT SIGNAL	Board	
POWER SUPPLY	24, 115, 230 VAC <sup>1</sup> ; 50/60 Hz	
FUSE	0,5 A	
AVERAGE CONSUMPTION	4 W	
CURRENT OUTPUT	Programmable 0/4-20mA (max 500 Ohm) galvanic isolated	
INPUT	Flow Chlorine probe Temperature probe	Flow Chlorine probe Temperature probe Stand-by
OUTPUT	2 output (free contact)	2 output (free contact) 1 otpo coupled output 1 alarm output (free contact)
ENVIRONMENT TEMPERATURE	0°C ... 50°C (32°F ... 122°F) / 0-95% (non condensing) relative humidity	
PROTECTION	IP40 - on request IP54	
POLLUTION LEVEL	2	
ENCLOSURE MATERIAL	PP	
TEST/CERTIFICATION	CE	
DIMENSIONS	refer to the drawing	
INSTALLATION	rack mounting	
MODBUS MODULE	/	default

## RACK MOUNTING (96X96) SINGLE READING SYSTEMS

## JACD

	JACD	JACD PRO
MEASURE	Conductivity ( $\mu\text{S-S}$ ) - default setting	Conductivity ( $\mu\text{S-S}$ ) - default setting
	Resistance (Ohm)	Resistance (Ohm)
	TDS (total dissolved solids) / ppm	TDS (total dissolved solids) / ppm
	/	Concentration (H <sub>3</sub> PO <sub>4</sub> - H <sub>2</sub> SO <sub>4</sub> - HNO <sub>3</sub> - HCl - NaOH - NaCl)
RANGE	autorange scale from 0 to 9999 (nS/uS/mS/S)	
TEMPERATURE COMPENSATION	PT100	
INPUT SIGNAL	Board	
POWER SUPPLY	24, 115, 230 VAC <sup>1</sup> ; 50/60 Hz	
FUSE	0,5 A	
AVERAGE CONSUMPTION	4 W	
CURRENT OUTPUT	Programmable 0/4-20mA (max 500 Ohm) galvanic isolated	
INPUT	Flow Conductivity probe Temperature probe	Flow Conductivity probe Temperature probe Stand-by
OUTPUT	2 output (free contact)	2 output (free contact) 1 otpo coupled output 1 alarm output (free contact)
ENVIRONMENT TEMPERATURE	0°C ... 50°C (32°F ... 122°F) / 0-95% (non condensing) relative humidity	
PROTECTION	IP40 - on request IP54	
POLLUTION LEVEL	2	
ENCLOSURE MATERIAL	PP	
TEST/CERTIFICATION	CE	
DIMENSIONS	refer to the drawing	
INSTALLATION	rack mounting	
MODBUS MODULE	/	default

## RACK MOUNTING (96X96) SINGLE READING SYSTEMS

## JACD IND

	JACD IND	JACD IND PRO
MEASURE	Inductive Conductivity (mS-S) - default setting	Inductive Conductivity ( $\mu$ S-S) - default setting
	Resistance (Ohm)	Resistance (Ohm)
	TDS (total dissolved solids) / ppm	TDS (total dissolved solids) / ppm
	/	Concentration (H3PO4 - H2SO4 - HNO3 - HCl - NaOH - NaCl)
RANGE	0-3.000 mS 0-300.0 mS	
TEMPERATURE COMPENSATION	PT100	
INPUT SIGNAL	Board	
POWER SUPPLY	24, 115, 230 VAC <sup>1</sup> ; 50/60 Hz	
FUSE	0,5 A	
AVERAGE CONSUMPTION	4 W	
CURRENT OUTPUT	Programmable 0/4-20mA (max 500 Ohm) galvanic isolated	
INPUT	Flow Conductivity probe Temperature probe	Flow Conductivity probe Temperature probe Stand-by
OUTPUT	2 output (free contact)	2 output (free contact) 1 otpo coupled output 1 alarm output (free contact)
ENVIRONMENT TEMPERATURE	0°C ... 50°C (32°F ... 122°F) / 0-95% (non condensing) relative humidity	
PROTECTION	IP40 - on request IP54	
POLLUTION LEVEL	2	
ENCLOSURE MATERIAL	PP	
TEST/CERTIFICATION	CE	
DIMENSIONS	refer to the drawing	
INSTALLATION	rack mounting	
MODBUS MODULE	/	default