

Accurate and reliable control of processes.  
Easy-maintenance, provides accurate reading values and fast responses.



ETEPCH18  
ETEPTCH18

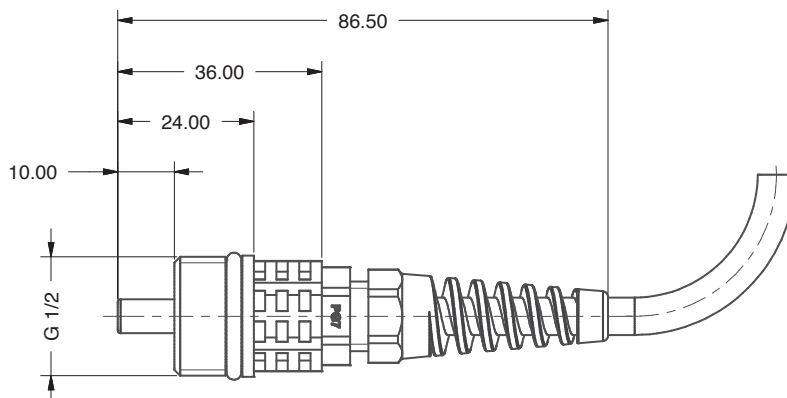
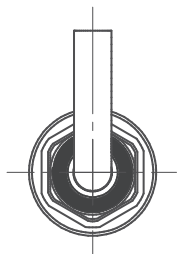


ETEPCH18/L  
ETEPTCH18/L

### TEMPERATURE ELECTRODES

MODELS	Electrode	Range	Pressure	Cable	Body	Features	Application
ETEPCH18	temperature compensation	0-100°C	10 bar	4 m	PVDF (1/2" threading)	NTC 10Kohm	ECL6 PEF
ETEPCH18/L	temperature compensation	0-100°C	10 bar	4 m	PVDF (1/2" threading)	NTC 10Kohm	NPED PEF22 - PEF23
ETEPTCH18	temperature compensation	0-100°C	10 bar	4 m	PVDF (1/2" threading)	PT100	ECL6 PEF
ETEPTCH18/L	temperature compensation	0-100°C	10 bar	4 m	PVDF (1/2" threading)	PT100	NPED PEF22 - PEF23

ETEPCH18  
ETEPTCH18



ETEPCH18/L  
ETEPTCH18/L

