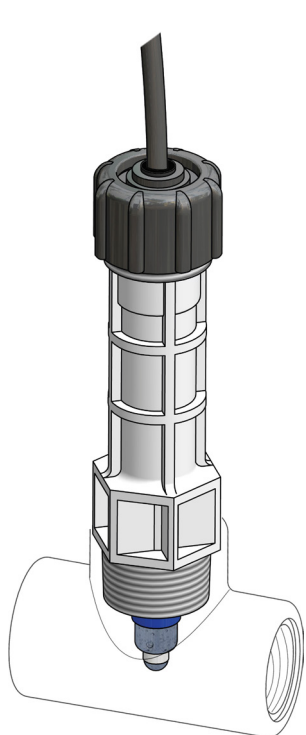


# "IN LINE" PROBES HOLDER

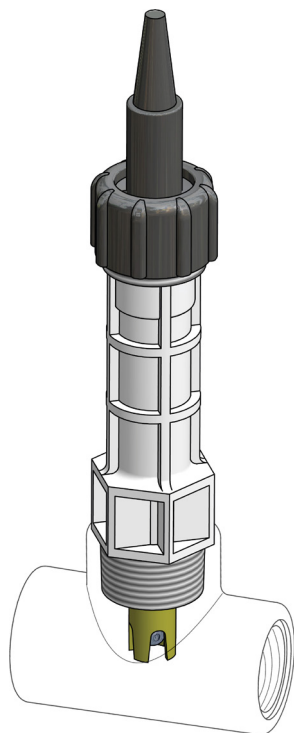
## Data Sheet

### mod. "PEL"

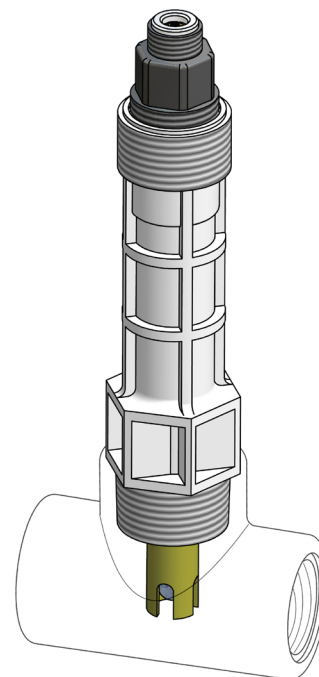
"IN LINE" PROBES HOLDER MADE OF PVDF FOR "T" CONNECTION.



ERHHL



EPH-ERH



EPH-ERH-SN6

CODE	MODEL	FITTINGS
108.1456.1	EPH ERH	1/2"
108.1463.1	EPH ERH	3/4"
108.1483.1	ERHHL	1/2"
108.1484.1	ERHHL	3/4"
108.1457.1	EPH ERH SN6 (Pg 13.5)	1/2"
108.1485.1	EPH ERH SN6 (Pg 13.5)	3/4"

Usage limits : 7bar @ 90°C  
3bar @ 130°C

