

RACK MOUNTING (96X96) SINGLE READING SYSTEMS

JA / JA PRO control instruments are a series of **rack mounting (96x96)** single reading systems.

It can set and monitor: pH, ORP, chlorine (depending on the probe: total chlorine, free chlorine, chlorine dioxide, hydrogen peroxide, ozone, bromine or paracetic acid) and conductivity with **automatic range and probe / product selection (uS/S - Ohm - TDS / PPM - Concentration H3PO4 - H2SO4 - HNO3 - HCl - NaOH - NaCl)**

JA models have: 2 setpoints (on/off, proportional), 0-20 mA or 4-20 mA output proportional to read value and programmable in the reading range and flow input.

JA PRO models version have: 2 setpoints (on/off, proportional), standby input, flow input, alarm output, 0-20 mA or 4-20 mA output proportional to read value and programmable in the reading range, opto coupled output, MODBUS communication.

Available also low voltage 9-18VDC or 18-36VDC power supply.

Available IP54 protection cover.



R2-06-20

MODELS

JA	JA PRO	MEASURE
JAPH	JAPH PRO	pH
JARH	JARH PRO	ORP
JACL	JACL PRO	Chlorine
JACD	JACD PRO	Conductivity
JACDIND	JACDIND PRO	Inductive Conductivity

INPUT SIGNAL

pH / ORP: BNC; impedance > 10¹² Ω
Chlorine / Conductivity: connection board

FLOW INPUT

2 ON/OFF / PROPORTIONAL / PID (JAPRO only) OUTPUT
free voltage contact

OPTO COUPLED OUTPUT (JA PRO only)

To use with "IS", "MF", "PLUS" series pumps

ALARM OUTPUT (JA PRO only)

free voltage contact

CURRENT OUTPUT

Programmable 0/4-20mA (max 350 Ohm) galvanic isolated

TEMPERATURE COMPENSATION

PT100 sensor (0-200°C)

DELAY

Programmable delay at startup for probe polarization.

DISPLAY

Backlight LCD display.

POWER SUPPLY

85-264VAC; 18-36VAC; 9-18VDC or 18-36VDC; 50/60 Hz

STAND-BY INPUT (JAPRO only)

MODBUS RTU PROTOCOL (JAPRO only)

EASY USER INTERFACE WITH NAVI-KEYS SYSTEM

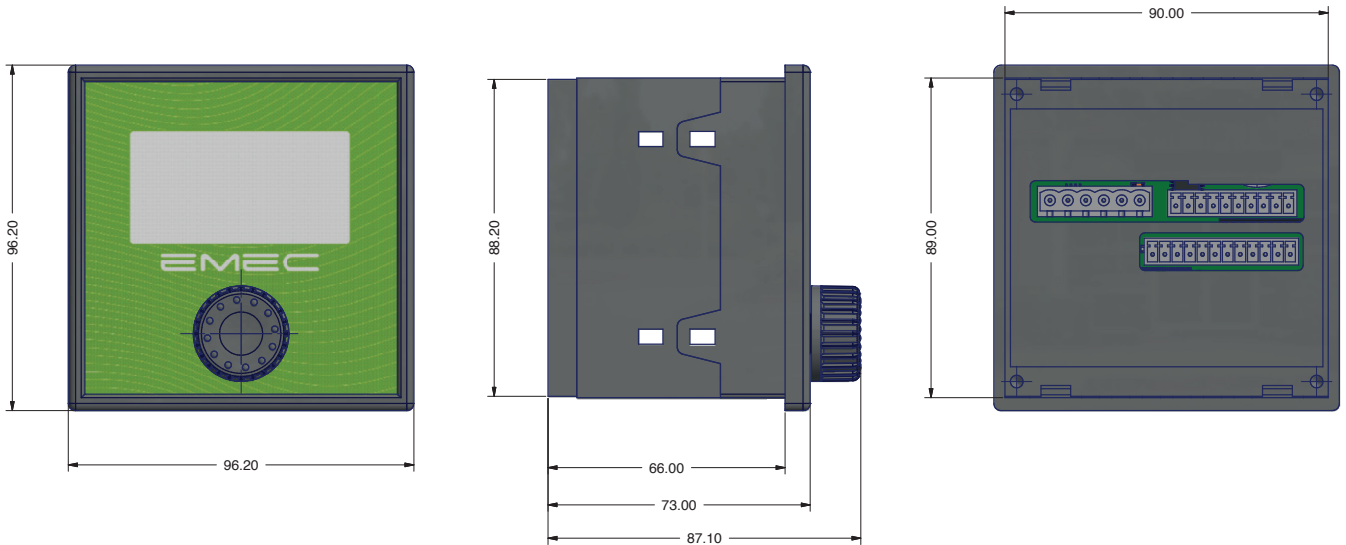
PASSWORD PROTECTED SETTINGS

OPTION

IP54 PROTECTION

RACK MOUNTING (96X96) SINGLE READING SYSTEMS

DIMENSIONS JA

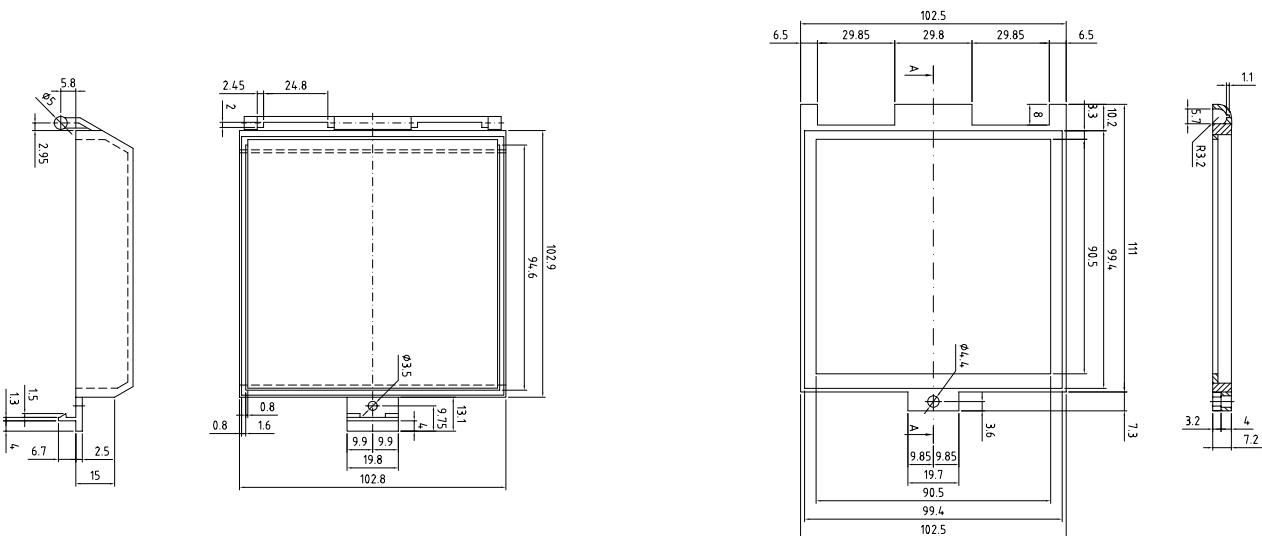


OPTIONS



IP54 PROTECTION

DIMENSIONS PROTECTION IP54



RACK MOUNTING (96X96) SINGLE READING SYSTEMS

JAPH

	JAPH	JAPH PRO
MEASURE	pH	
RANGE	0-14 pH; resolution: 0,01	
TEMPERATURE COMPENSATION	PT100	
INPUT SIGNAL	BNC; impedance > 10 ¹² Ω	
POWER SUPPLY	24, 115, 230 VAC; 50/60 Hz	
FUSE	0,5 A	
AVERAGE CONSUMPTION	4 W	
FUNCTIONS	2 Setpoints (Volt-Free Relay Contact) Flow input pH probe Temperature probe Programmable 0/4-20mA (max 500 Ohm) galvanic isolated	2 Setpoints (Volt-Free Relay Contact) Flow input pH probe Temperature probe Programmable 0/4-20mA (max 500 Ohm) galvanic isolated Alarm Output (Volt-Free Relay Contact) Stand-by Input MODBUS RTU Opto Coupled Pulse Output
ENVIRONMENT TEMPERATURE	0°C ... 50°C (32°F ... 122°F) / 0-95% (non condensing) relative humidity	
PROTECTION	IP40 - on request IP54	
POLLUTION LEVEL	2	
ENCLOSURE MATERIAL	PP	
TEST/CERTIFICATION	CE	
DIMENSIONS	refer to the drawing	
INSTALLATION	rack mounting	

RACK MOUNTING (96X96) SINGLE READING SYSTEMS

JARH

	JARH	JARH PRO
MEASURE	ORP	
RANGE	-999/+1999 mV; resolution: 1	
TEMPERATURE COMPENSATION	PT100	
INPUT SIGNAL	BNC; impedance > 10 ¹² Ω	
POWER SUPPLY	24, 115, 230 VAC ¹ ; 50/60 Hz	
FUSE	0,5 A	
AVERAGE CONSUMPTION	4 W	
CURRENT OUTPUT	Programmable 0/4-20mA (max 500 Ohm) galvanic isolated	
FUNCTIONS	2 Setpoints (Volt-Free Relay Contact) Flow input ORP probe Temperature probe Programmable 0/4-20mA (max 500 Ohm) galvanic isolated	2 Setpoints (Volt-Free Relay Contact) Flow input ORP probe Temperature probe Programmable 0/4-20mA (max 500 Ohm) galvanic isolated Alarm Output (Volt-Free Relay Contact) Stand-by Input MODBUS RTU Opto Coupled Pulse Output
ENVIRONMENT TEMPERATURE	0°C ... 50°C (32°F ... 122°F) / 0-95% (non condensing) relative humidity	
PROTECTION	IP40 - on request IP54	
POLLUTION LEVEL	2	
ENCLOSURE MATERIAL	PP	
TEST/CERTIFICATION	CE	
DIMENSIONS	refer to the drawing	
INSTALLATION	rack mounting	

RACK MOUNTING (96X96) SINGLE READING SYSTEMS

JACL

	JACL	JACL PRO
MEASURE	Total chlorine Free Chlorine Chlorine Dioxide Hydrogen Peroxyde Ozone Bromine Peracetic Acid	
RANGE	autorange scale from 0 to 9999 (nS/uS/mS/S)	
TEMPERATURE COMPENSATION	PT100	
INPUT SIGNAL	Board	
POWER SUPPLY	24, 115, 230 VAC ¹ ; 50/60 Hz	
FUSE	0,5 A	
AVERAGE CONSUMPTION	4 W	
CURRENT OUTPUT	Programmable 0/4-20mA (max 500 Ohm) galvanic isolated	
FUNCTIONS	2 Setpoints (Volt-Free Relay Contact) Flow input Chlorine probe Temperature probe Programmable 0/4-20mA (max 500 Ohm) galvanic isolated	2 Setpoints (Volt-Free Relay Contact) Flow input Chlorine probe Temperature probe Programmable 0/4-20mA (max 500 Ohm) galvanic isolated Alarm Output (Volt-Free Relay Contact) Stand-by Input MODBUS RTU Opto Coupled Pulse Output
ENVIRONMENT TEMPERATURE	0°C ... 50°C (32°F ... 122°F) / 0-95% (non condensing) relative humidity	
PROTECTION	IP40 - on request IP54	
POLLUTION LEVEL	2	
ENCLOSURE MATERIAL	PP	
TEST/CERTIFICATION	CE	
DIMENSIONS	refer to the drawing	
INSTALLATION	rack mounting	

RACK MOUNTING (96X96) SINGLE READING SYSTEMS

JACD

	JACD	JACD PRO
MEASURE	Conductivity ($\mu\text{S-S}$) - default setting	Conductivity ($\mu\text{S-S}$) - default setting
	Resistance (Ohm)	Resistance (Ohm)
	TDS (total dissolved solids) / ppm	TDS (total dissolved solids) / ppm
	/	Concentration (H ₃ PO ₄ - H ₂ SO ₄ - HNO ₃ - HCl - NaOH - NaCl)
RANGE	0.1 μS -100mS (K=1) 0.01 μS -10mS (K=0.1) 0.001 μS -1mS (K=0.01) 1 μS -1S (K=10)	
TEMPERATURE COMPENSATION	PT100	
INPUT SIGNAL	Board	
POWER SUPPLY	24, 115, 230 VAC ¹ ; 50/60 Hz	
FUSE	0,5 A	
AVERAGE CONSUMPTION	4 W	
CURRENT OUTPUT	Programmable 0/4-20mA (max 500 Ohm) galvanic isolated	
FUNCTIONS	2 Setpoints (Volt-Free Relay Contact) Flow input Conductivity probe Temperature probe Programmable 0/4-20mA (max 500 Ohm) galvanic isolated	2 Setpoints (Volt-Free Relay Contact) Flow input Conductivity probe Temperature probe Programmable 0/4-20mA (max 500 Ohm) galvanic isolated Alarm Output (Volt-Free Relay Contact) Stand-by Input MODBUS RTU Opto Coupled Pulse Output
ENVIRONMENT TEMPERATURE	0°C ... 50°C (32°F ... 122°F) / 0-95% (non condensing) relative humidity	
PROTECTION	IP40 - on request IP54	
POLLUTION LEVEL	2	
ENCLOSURE MATERIAL	PP	
TEST/CERTIFICATION	CE	
DIMENSIONS	refer to the drawing	
INSTALLATION	rack mounting	

RACK MOUNTING (96X96) SINGLE READING SYSTEMS

JACD IND

	JACD IND	JACD IND PRO
MEASURE	Inductive Conductivity (mS-S) - default setting	Inductive Conductivity (µS-S) - default setting
	Resistance (Ohm)	Resistance (Ohm)
	TDS (total dissolved solids) / ppm	TDS (total dissolved solids) / ppm
	/	Concentration (H3PO4 - H2SO4 - HNO3 - HCl - NaOH - NaCl)
RANGE	0-3.000 mS 0-300.0 mS	
TEMPERATURE COMPENSATION	PT100	
INPUT SIGNAL	Board	
POWER SUPPLY	24, 115, 230 VAC ¹ ; 50/60 Hz	
FUSE	0,5 A	
AVERAGE CONSUMPTION	4 W	
CURRENT OUTPUT	Programmable 0/4-20mA (max 500 Ohm) galvanic isolated	
FUNCTIONS	2 Setpoints (Volt-Free Relay Contact) Flow input Conductivity I. probe Temperature probe Programmable 0/4-20mA (max 500 Ohm) galvanic isolated	2 Setpoints (Volt-Free Relay Contact) Flow input Conductivity I. probe Temperature probe Programmable 0/4-20mA (max 500 Ohm) galvanic isolated Alarm Output (Volt-Free Relay Contact) Stand-by Input MODBUS RTU Opto Coupled Pulse Output
ENVIRONMENT TEMPERATURE	0°C ... 50°C (32°F ... 122°F) / 0-95% (non condensing) relative humidity	
PROTECTION	IP40 - on request IP54	
POLLUTION LEVEL	2	
ENCLOSURE MATERIAL	PP	
TEST/CERTIFICATION	CE	
DIMENSIONS	refer to the drawing	
INSTALLATION	rack mounting	