

Multifunction motor driven plunger metering pump



Motor-driven plunger dosing pump, mechanical actuated, PRIUS combines efficiency and chemical resistance to a wide capacity range for an extensive number of applications.

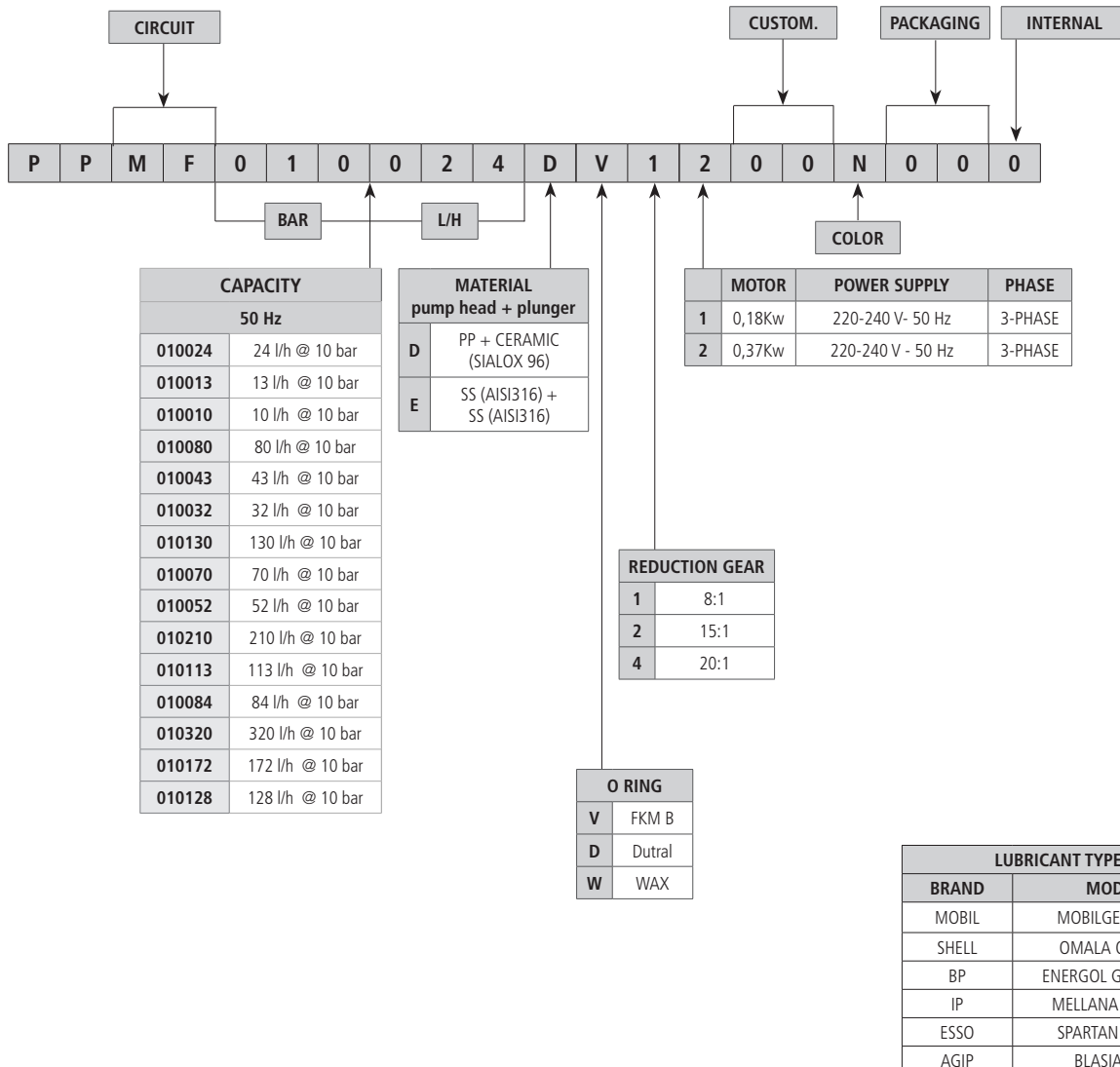
- Multifunction plunger pump with inverter
- Working mode: Constant, ppm, %, mlq, pause-work, weekly, mA, Volt and Batch
- Level control
- Alarms
- Stand-by
- Double position of the electronic unit (standard or rotated mounting)
- **Ceramic or Stainless Steel plunger**
- Aluminium enclosure
- Flow regulation
- Double ball check valve
- Tropicalized three-phase motors



STANDARD MOUNTING

ROTATED MOUNTING

Identification code



Multifunction motor driven plunger metering pump

“PRIUS P MF” - 50 Hz / SINGLE-PHASE SUPPLY

FEATURES

- Multifunction plunger pump with inverter
- Power supply: 230 VAC (+/-10%) - 50/60 Hz - single-phase
- Ceramic (SIALOX96) piston and PP pump head or SS (AISI316) pump head and piston
- Double ball check valve
- Aluminium enclosure
- Flow regulation
- Double position of the electronic unit (standard or rotated mounting)
- Environment temperature:-10-40 °C (14-104 °F)
- Chemical temperature with SS pump head:-10-90 °C (14-194 °F)*
- Chemical temperature with PP pump head:-10-40 °C (14-104 °F)
- Installation classII
- Pollution level 2
- Audible noise..... 78 dbA (± 5 dB)
- Protection degreeIP 55
- Max suction height3 m
- Oil capacity.....0,3 lt (Refer to “Lubricant type” table)

* The specified temperature can be exceeded temporarily (max 15') for sterilization or flushing with hot water.

MOTORS

- 0,18 kW: 3-phase 230 V 1350 rpm
- 0,37 kW: 3-phase 230 V 1370 rpm

PRIUS P MF WITH PP PUMP HEAD AND CERAMIC PLUNGER



STANDARD MOUNTING

ROTATED MOUNTING

PRIUS P MF WITH SS PUMP HAED AND PLUNGER



STANDARD MOUNTING

ROTATED MOUNTING

Multifunction motor driven plunger metering pump

PRIUS P MF WITH PP PUMP HEAD AND CERAMIC PLUNGER

PRIUS P MF / PP + CERAMIC								
LENGHT	PLUNGER diameter (mm)	PRIUS P MF	stroke/1'	Pressure bar	Capacity l/h	Motor	HOSES CONNECTION	INSTALLATION KIT
							PP	
15 mm	14	010024	175	10	24	0,18 kW	G1/2" 12x18	A
		010013	94		13			
		010010	70		10			
	25	010080	175	10	80	0,18 kW	G1/2" 12x18	A
		010043	94		43			
		010032	70		32			
	32	010130	175	10	130	0,18 kW	G1/2" 12x18	A
		010070	94		70			
		010052	70		52			
	40	010210	175	10	210	0,37 kW	G3/4" i.d. 18 mm	B
		010113	94		113			
		010084	70		84			
	50	010320	175	10	320	0,37 kW	G3/4" i.d. 18 mm	B
		010172	94		172			
		010128	70		128			

ACCESSORIES

A. INSTALLATION KIT INCLUDED

- 1/2" foot filter with 13 mm (int. diam.) hose fitting
- 3/4" injection valve
- 13 x16 PVDF or 12 X 18 PVC delivery hose
- 13 x16 PVDF or 12 X 18 PVC suction hose

B. INSTALLATION KIT (OPTION)

- 1 1/2" foot filter with 18 mm (int. diam.) hose fitting (G1 1/2" - 18 mm)
- 1 1/2" injection valve

Multifunction motor driven plunger metering pump

PRIUS P MF WITH SS PUMP HEAD AND PLUNGER

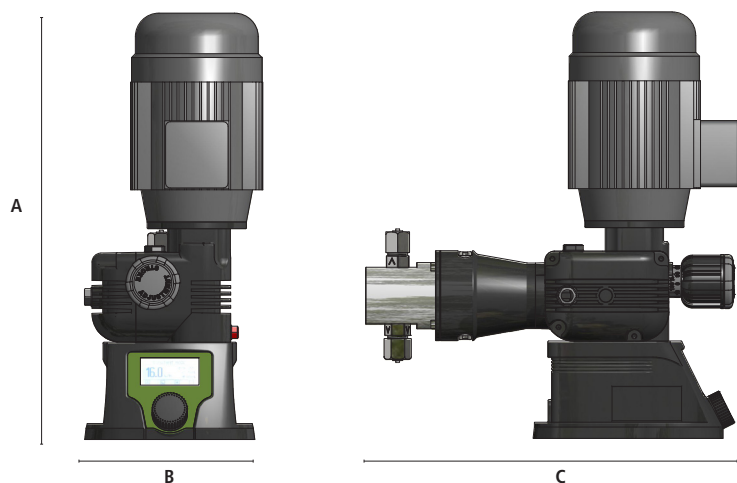
PRIUS P MF / SS PUMP HEAD + PLUNGER							
LENGHT	PLUNGER diameter (mm)	PRIUS P MF	stroke/1'	Pressure bar	Capacity l/h	Motor	HOSES CONNECTION
							SS
15 mm	14	010024	175	10	24	0,18 kW	R1/2"
		010013	94		13		
		010010	70		10		
	25	010080	175	10	80	0,18 kW	R1/2"
		010043	94		43		
		010032	70		32		
	32	010130	175	10	130	0,18 kW	R1/2"
		010070	94		70		
		010052	70		52		
	40	010210	175	10	210	0,37 kW	R3/4"
		010113	94		113		
		010084	70		84		
	50	010320	175	10	320	0,37 kW	R3/4"
		010172	94		172		
		010128	70		128		

Stainless Steel pump does not fit installation kit.

Multifunction motor driven plunger metering pump

Dimensions

WEIGHTS AND DIMENSIONS ARE REFERRED TO MOTOR PUMPS WITH PP PUMP HEAD MOD.



DIMENSIONS (mm)	
	UM pump (PP)
A	450
B	200
C	420
D	420
E	200
F	140
G	160
∅ fixing holes	8

WEIGHT (kg)	
with PP pump head	16
with SS pump head	25

