

FEATURES

- The mixer is used with size tank from 120 l to 1000 l.
- The gear box (lubrication free) is coupled to the tank fixing flange.
- The main axis is made in stainless steel and covered in PVC.
- The seal against chemical vapour is a Fluorocarbon rotary seal inserted between the flange and the PVC cover of the shaft. This protects the gear box and the motor from chemical vapour.

EMEC supplies MIX with three different speeds: 65 RPM, 200 RPM and 1400 RPM.

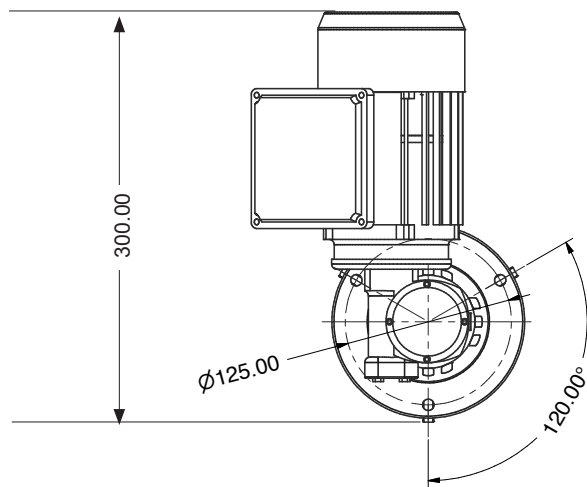
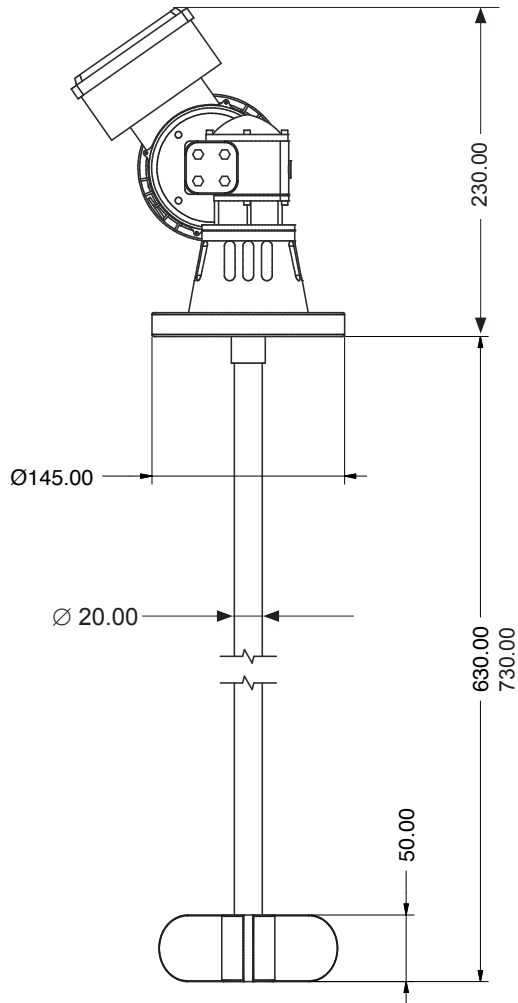
The MIX shaft length can be customized to fit different size tanks.

SPECIFICATIONS

MODELS	Rated power (kW)	Rotation speed (rpm) ¹	Height (mm) ¹	Tank	Impeller	Impeller diameter (mm)	Weight (Kg)
MIX8N-MON	0,09	65 or 200	630	CNT PD 120	3 blade	150	7.00
			730	CNT PD 250			
MIX8N-TRI	0,09	65 or 200	630	CNT PD 120	3 blade	150	6.55
			730	CNT PD 250			
MIXV8N-MON	0,09	1400	630	CNT PD 120	marine	70	5.50
			730	CNT PD 250			
MIXV8N-TRI	0,09	1400	630	CNT PD 120	marine	70	5.30
			730	CNT PD 250			
MIX4N-MON	0,18	65 or 200 or 400	730	CNT PD 250	4 blade	200	11.00
			980	CNT PD 500			
			1100	CNT PD 1000			
MIX4N-TRI	0,18	65 or 200 or 400	730	CNT PD 250	4 blade	200	9.50
			980	CNT PD 500			
			1100	CNT PD 1000			
MIXV4N-MON	0,18	1400	730	CNT PD 250	marine	90	8.00
			980	CNT PD 500			
MIXV4N-TRI	0,18	1400	730	CNT PD 250	marine	90	8.00
			980	CNT PD 500			
MIXV2N-MON	0,37	1400	730	CNT PD 250	marine	90	12.00
			980	CNT PD 500			
			1100	CNT PD 1000			
MIXV2N-TRI	0,37	1400	730	CNT PD 250	marine	90	10.50
			980	CNT PD 500			
			1100	CNT PD 1000			
MIX2N-MON	0,37	65 or 200 or 400	1100	CNT PD 1000	4 blade	150	16.00
MIX2N-TRI	0,37	65 or 200 or 400	1100	CNT PD 1000	4 blade	150	14.50

DIMENSION (mm)

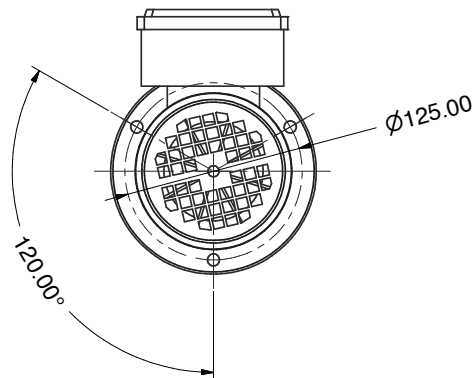
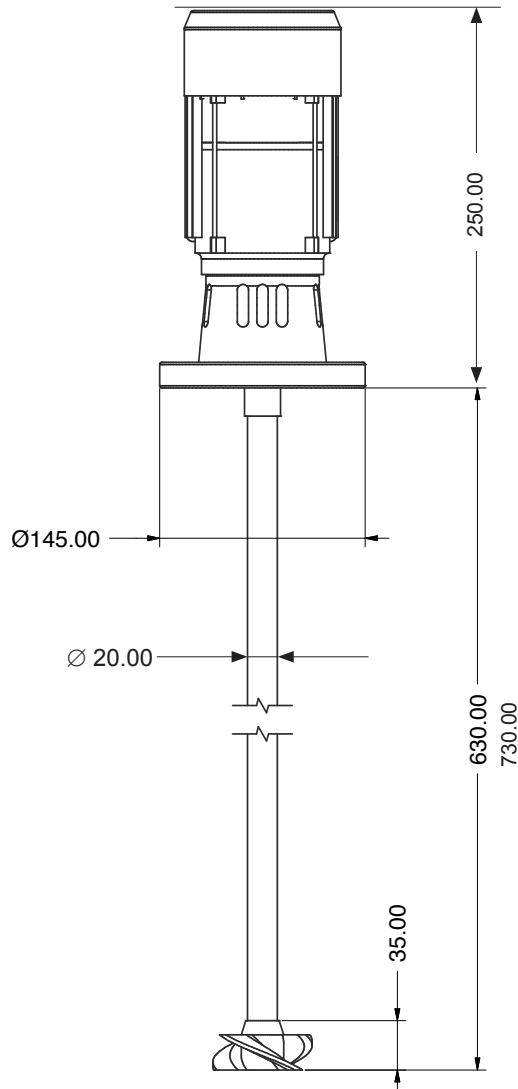
MIX8N-MON
MIX8N-TRI



DIMENSION (mm)

MIXV8N-MON

MIXV8N-TRI



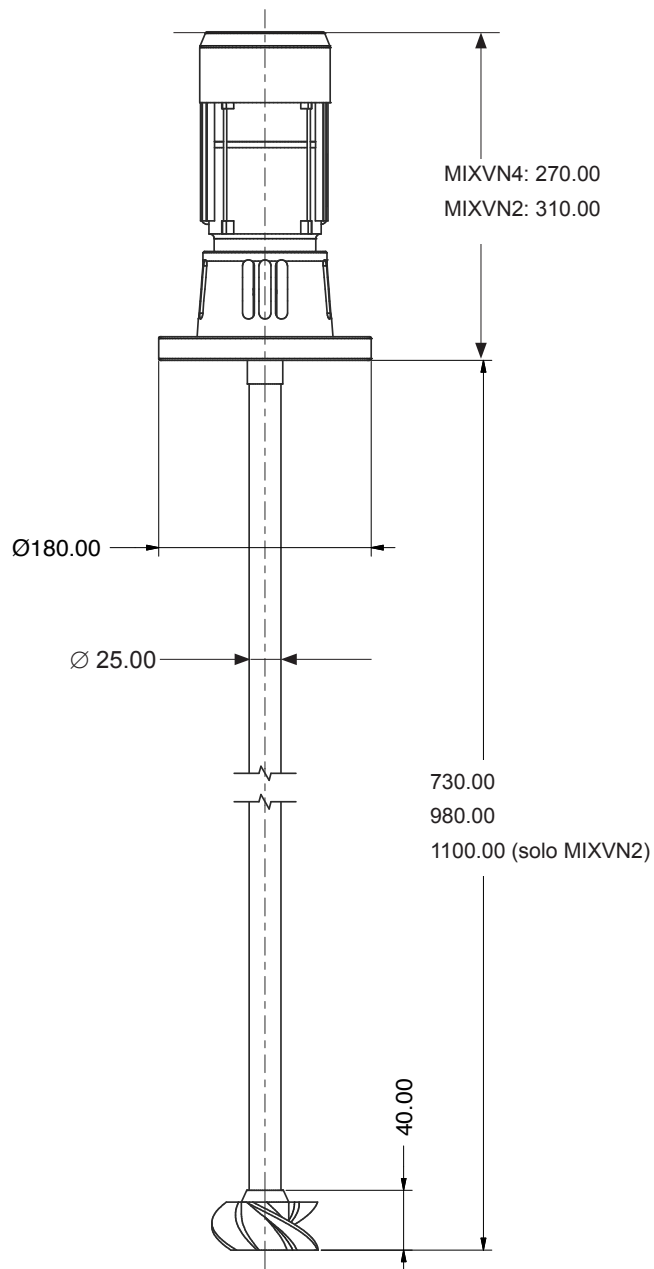
DIMENSION (mm)

MIXV4N-MON

MIXV4N-TRI

MIXV2N-MON

MIXV2N-TRI



DIMENSION (mm)

MIX2N-MON

MIX2N-TRI

MIX4N-MON

MIX4N-TRI

