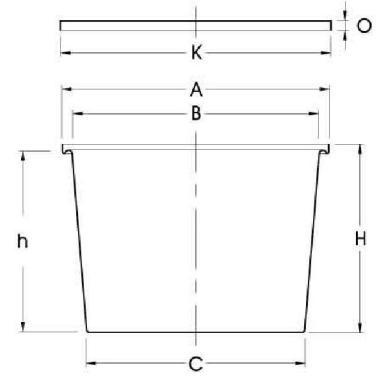


COT-A



TISI 1379-2551



Tank								Lid				Approx. Total Weight (kg)
Part Number	Capacity (Litres)	Approx. Dimensions (mm.)						Part Number	Approx. Dimensions (mm.)			
		A	B	C	H	h	Thk.		K	O	Thk.	
COT040A-M113	40	520	420	330	360	335	3.5					2.0
COT040A-M3X3							4.0					2.2
COT150A-M6X6	150	700	650	570	610	580	4.0					5.5
COT150A-M7X6							4.5					6.5
COT150A-M9X6							6.0					8.5
COT150A-M122							7.5					11.0
COT200A-M118	200	760	700	560	730	705	4.0	CN0760A-M2X5	760	50	2.5	8.4
COT200A-M8X6							4.5					8.9
COT200A-M121							6.0					11.4
COT200A-M125							8.0					15.4
COT280A-M119	280	1,080	1,010	900	430	390	4.0					8.0
COT280A-M110							4.5					9.0
COT280A-M123							6.0					12.0
COT280A-M127							8.0					16.0
COT350A-M121	350	870	310	750	790	755	4.0	CN0870A-M3X4	870	45	3.0	12.3
COT350A-M122							4.5					13.3
COT350A-M125							6.0					16.3
COT350A-M120							8.0					21.3
COT500A-M128	500	1,100	1,020	900	780	740	5.5	CN1100A-M4X6	1,100	40	3.0	20.5
COT500A-M129							6.0					21.5
COT500A-M136							8.0					28.5
COT500A-M142							10.0					34.5
COT900A-M136	900	1,340	1,280	1,010	860	820	6.0					25.0
COT900A-M141							7.0					30.0
COT900A-M145							8.0					34.0
COT900A-M153							10.0					42.0
COT1K0A-M139	1,000	1,420	1,360	1,250	830	780	6.0					28.0
COT1K0A-M144							7.0					33.0
COT1K0A-M149							8.0					38.0
COT1K0A-M158							10.0					47.0
COT1K5A-M149	1,500	1,630	1,550	1,460	950	910	6.0					38.0
COT1K5A-M155							7.0					44.0
COT1K5A-M161							8.0					50.0
COT1K5A-M174							10.0					63.0

NOTE: 1. Prices are exclusive of 7% VAT and subject to change without prior notice.
2. Specifications may change without prior notice.